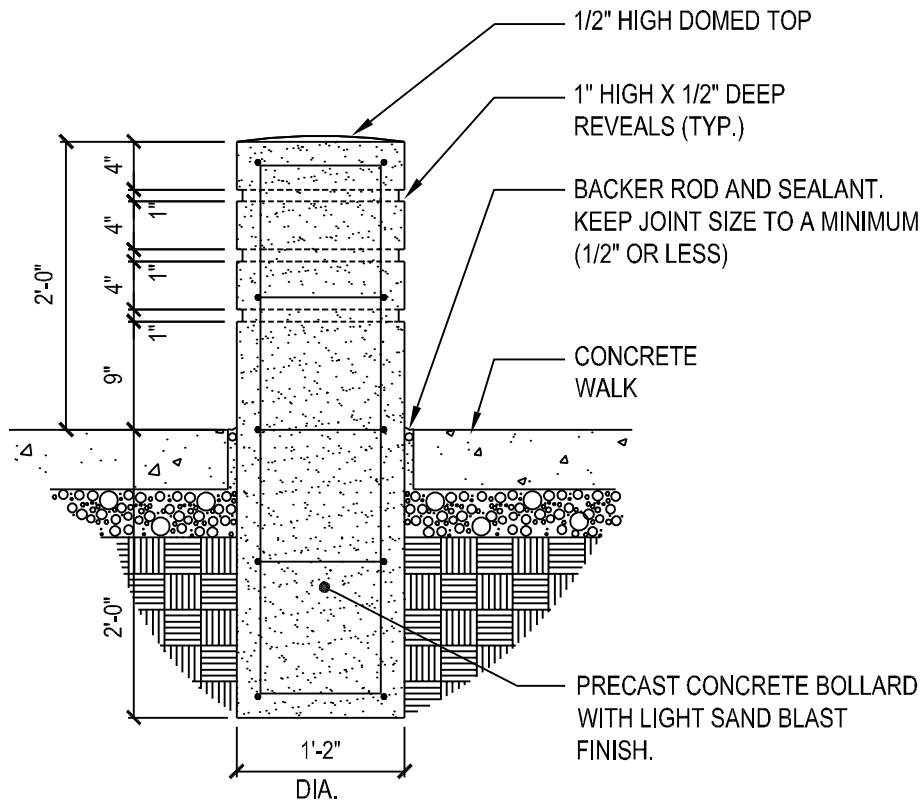


PLAN



SECTION

SEE PLATE 320000-01 FOR PRECAST CONCRETE BOLLARD PLACEMENT.

DATE	DEFENSE COMMISSARY AGENCY DIRECTORATE OF ENGINEERING FORT LEE, VIRGINIA - LACKLAND AFB, TEXAS		DESIGN STANDARD
JUN 2022	TITLE PRECAST CONCRETE BOLLARD	REF.	320000-05
		REV.	